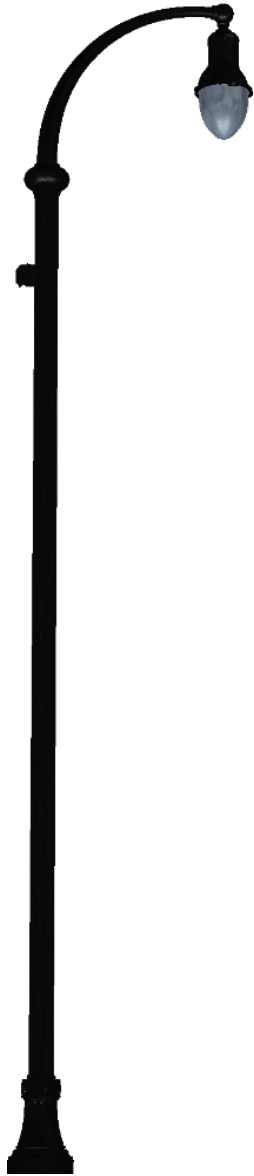




North Yorkshire Aluminum Pole 17 inch Base ATC Roadway Arm Memphis LED 2 Series (MPL2)



POLE ATTRIBUTES:

Description The lighting post shall be all aluminum, one-piece construction, with a classic tapered and fluted base design.

Materials The base shall be heavy wall, cast aluminum produced from certified ASTM 356.1 Ingot per ASTM B-179-95a or ASTM B26-95. The straight shafts shall be extruded from aluminum, ASTM 6061 alloy. The tapered shaft shall be extruded from aluminum, ASTM 6063 alloy, spun to a tapered shape. All material heat treated to a T6 temper.

Construction The shaft shall be double welded to the base casting and shipped as one piece for maximum structural integrity. The shaft shall be welded inside the base casting at the top of the access door, and externally where the shaft exits the base. All welding shall be per ANSI/AWS.

Dimensions The post shall have a 17" diameter base. At the top of the post, an integral tenon with a transitional donut shall be provided for luminaire mounting.

Installation The post has an option to have four L-Type hot dip galvanized anchor bolts shipped with it. A door shall be provided in the base for anchorage and wiring access. A grounding screw shall be provided inside the base opposite the door.

CROSSARM ATTRIBUTES:

CONSTRUCTION The roadway arms shall be all aluminum, one-piece construction. The arms shall consist of a decorative post-mounting piece, a tapered, bent tube arm, and a decorative end piece for Luminaire mounting. All welding shall be per ANSI/AWS D1.2-90. All welders shall be certified per ANSI/AWS D1.2-90 Section 5.

MATERIALS The post mounting piece and Luminaire mounting piece shall be heavy wall, cast aluminum produced from certified ASTM 356.1 ingot per ASTM B179-95a or ASTM B26-95. The tapered bent arm shall be aluminum, ASTM 6063 alloy, heat-treated to a T6 temper. All hardware shall be stainless steel.

INSTALLATION The arms shall slip-fit a post top tenon and attached with socket set screws. Arms shall have a 1.5" male NPT fitting for Luminaire mounting. A plumbing device shall be included for Luminaire leveling.

Requires P16 Tenon

FIXTURE ATTRIBUTES:

Features: The Tear Drop LED II provides exceptional illumination for roadway applications while saving energy, and reducing maintenance costs. The Tear Drop LED II delivers a wide range of performance packages via a high-performance light engine and optical design, returns to the more traditional period style housing, and is also available with an "uplight option" to provide vertical illumination enhancing building facades and transforming your application into a warm and inviting environment.

Listings: CSA approved with IP66 optical housings. For listing details, consult factory.

Finish/Material The luminaire is finished with polyester powder paint to insure

maximum durability. All castings utilize low copper aluminum for maximum corrosion resistance, with stainless steel for all exposed hardware.

Configure Entire Pole Package Assembly For Pole and Arm Combinations

Catalog #**MPL2 P20S 40K AS BK TG 3 S P7 PSC ATC 51/1QSM CA BKH QSM NYA 22 L6J 17_1 P16 ABG (AB27) BK R240A**
FGIUS_S BK

Dwg. #
HLP-50405
Page: 1 of 3

Catalog Number MPL2 P20S 40K AS BK TG 3 S P7 PSC ATC 51/1QSM CA BKH QSM NYA 22 L6J 17_1 P16 ABG (AB27) BK R240A FGIUS_S BK	
Type:	Notes:

**North Yorkshire Aluminum Pole 17 inch Base
ATC Roadway Arm
Memphis LED 2 Series (MPL2)**

SPECIFICATIONS

FIXTURE

- [MPL2 P20S 40K AS BK TG 3 S P7 PSC]
- Series: MPL2
- Source and Wattage: 10,000 lumens; 3 COBs
- Color Temperature: 4000K CCT
- Voltage: Auto-sensing voltage (120 thru 277) 50/60 HZ
- Finish: Black
- Door/Glass: Teardrop glass and door
- Optics: Type 3 Asymmetric Distribution
- Mounting: Quick Lock Stem mount
- Factory Programmed Driver: None
- Photocontrol Receptacle: 7 pin photocontrol receptacle
- Part Night Dimming: None
- Adjustable Output: None
- Photocontrols: Shorting Cap
- Dimming Control: None
- Skirts: None
- Prewired Leads: None
- Nema Label: None
- House Side Shield: None
- Leveling Fitter: Existing QSM Fitter (No Fitter Supplied)
- Pipe: None
- Fitter Finish: None
- Fitter Photocontrol Receptacle: None
- Fitter Photocontrols: None
- Luminaire EPA: 2.37
- Luminaire Weight: 60

ARM / MOUNTING BRACKET

- ATC Roadway Arm: Oriented at 0 degrees.
- [ATC 51/1QSM CA BKH QSM]
- Series: ATC Series Aluminum Roadway Arm
- Arm Length: 51" Roadway One Way Arm with QSM
- Material Type: Cast Aluminum
- Finish: Black
- Mounting Option: Quick stem
- Arm EPA: 3.09
- Arm Weight: 45

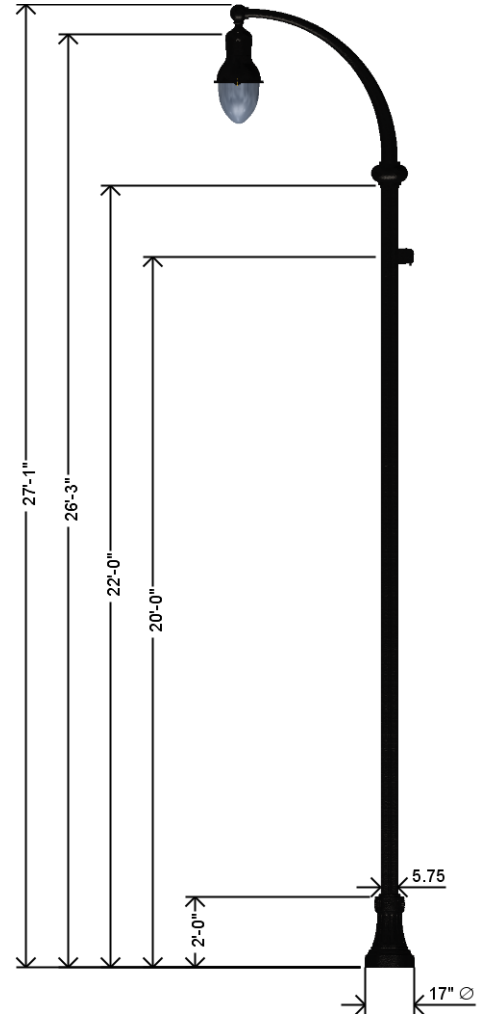
POLE

- North Yorkshire Aluminum Pole 17 inch Base
- [NYA 22 L6J 17_1 P16 ABG (AB27) BK R240A]
- Prefix: NYA
- Height: 22 feet (Actual Height: 22'-0")
- Shaft Style: L6J SiteLink 6 inch
- Base: 17 inch Round Base For Sitelink
- Tenon: 4.5 X 10 Tenon
- Pole Mounting: Anchor bolts, galvanized steel
- Finish: Powder Coat Paint, Black
- GFI Inside Base: None
- Breakaway Kit: None
- Breakaway Kit Finish: None
- Base EPA: 2.3
- Base Weight: 55
- Anchor Bolt: AB-27-4

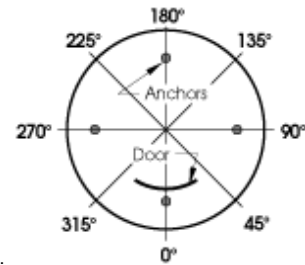
ACCESSORY

- Weatherproof Receptacle; Height Mounted at 20'-0"
- [FGIUS_S BK]
- Receptacle Type: Small, In-Use Wet Location Cover
- Finish: Black

Your Assembly Wind Load status: Pass
Passed for wind speed: 90 MPH
For further details, review the Structural Analysis Report.



Anchorage/Orientation Plan



Hand Hole is at 0 deg.

Customer Approval:

Job Name: Product Basket

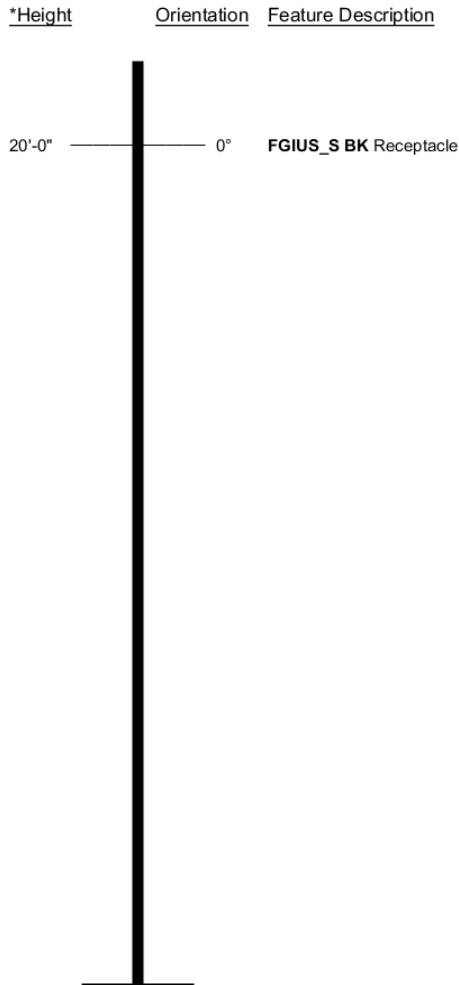
Client Name:

signature

date

Created By: Bruce Borden

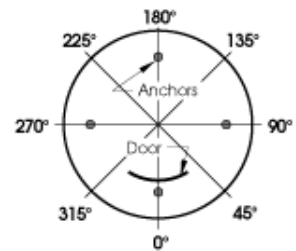
Date: 12-Dec-18



The hand hole is located at zero (0) degrees.
Height from bottom of base / anchor plate.

Post	Height
NYA 22 L6J 17_1 P16 ABG (AB27) BK R240A	22'-0"

Anchorage/Orientation Plan



Customer Approval:

Job Name: Product Basket

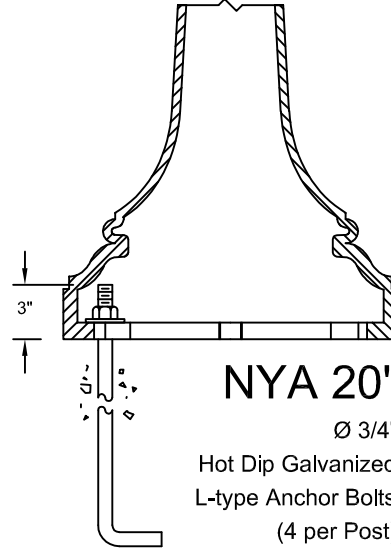
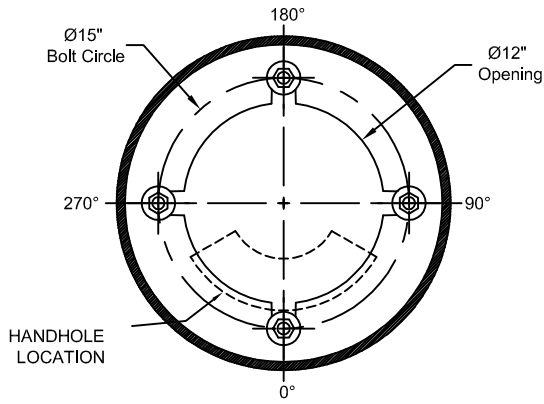
Client Name: _____

signature _____ date _____

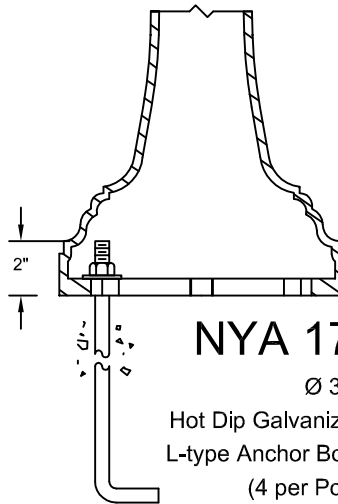
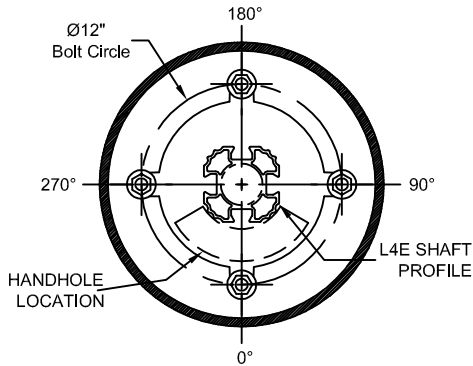
Created By: Bruce Borden

Date: 12-Dec-18

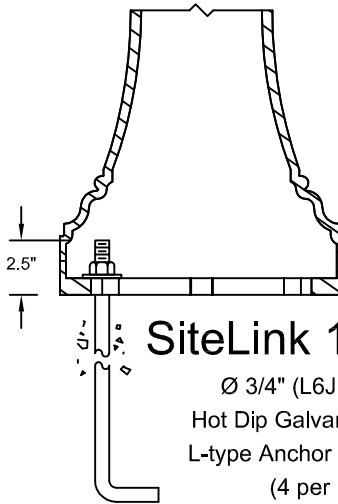
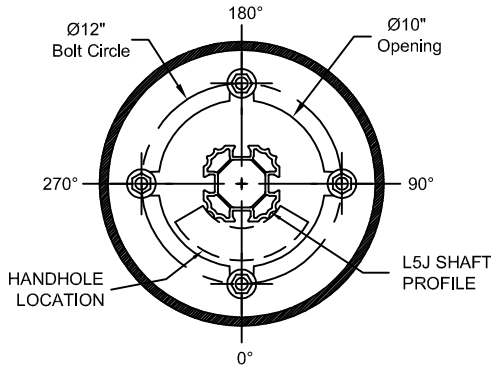
ANCHORAGE GUIDE



NYA 20"
 Ø 3/4"
 Hot Dip Galvanized
 L-type Anchor Bolts
 (4 per Post)



NYA 17"
 Ø 3/4"
 Hot Dip Galvanized
 L-type Anchor Bolts
 (4 per Post)



SiteLink 17"
 Ø 3/4" (L6J Ø1")
 Hot Dip Galvanized
 L-type Anchor Bolts
 (4 per Post)

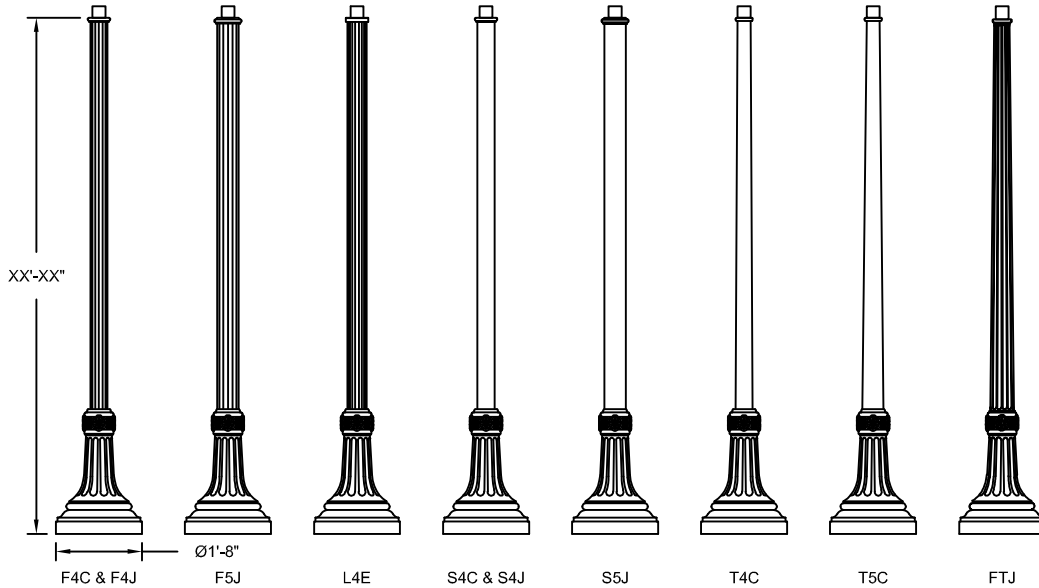
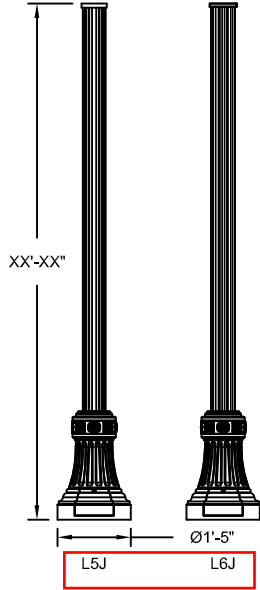
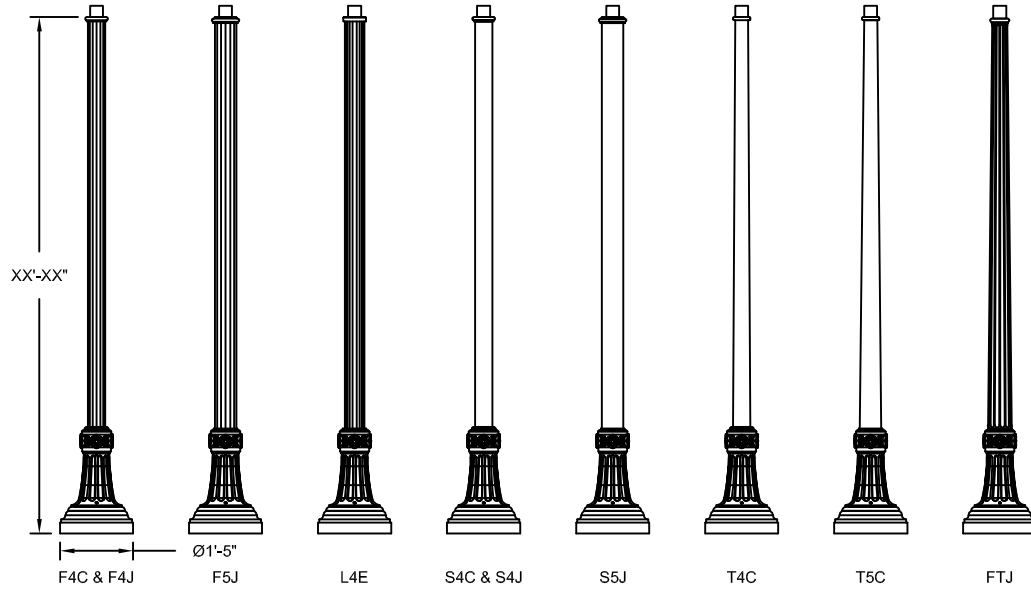
NORTH YORKSHIRETM
Aluminum Pole

**Architectural
 Outdoor**

HOLOPHANE[®]
 LEADER IN LIGHTING SOLUTIONS
 An Acuity Brands Company
 © 2010 Acuity Brands Lighting, Inc., All Rights Reserved

THIS DRAWING, WHEN APPROVED, SHALL BECOME THE COMPLETE SPECIFICATION FOR THE MATERIAL TO BE FURNISHED BY HOLOPHANE ON THE ORDER NOTED ABOVE. A UNIT OF SIMILAR DESIGN MAY BE SUBSTITUTED AT THE OPTION OF THE USER. THE USER SHALL BE RESPONSIBLE FOR OBTAINING ALL NECESSARY PERMITS AND APPROVALS. HOLOPHANE WILL BE SUPPLIED WITH EACH ANCHOR BOLT ORDER TO MATCH THE POLE PROVIDED. THIS PRINT IS THE PROPERTY OF HOLOPHANE AND IS LOANED SUBJECT TO RETURN UPON DEMAND AND UPON EXPRESS WRITTEN NOTICE TO THE USER. HOLOPHANE SHALL NOT BE HELD IN ANY WAY DETRIMENTAL TO OUR INTERESTS, AND ONLY IN CONNECTION WITH MATERIAL FURNISHED BY HOLOPHANE.

ORDER #:	
TYPE:	
DRAWN:	KRW
DATE:	10/3/13
DWG #:	POL_NYA



NORTH YORKSHIRETM
Aluminum Pole

**Architectural
 Outdoor**



THIS DRAWING, WHEN APPROVED, SHALL BECOME THE COMPLETE SPECIFICATION FOR THE MATERIAL TO BE FURNISHED BY HOLOPHANE ON THE ORDER NOTED ABOVE. A UNIT OF SIMILAR DESIGN MAY BE SUBSTITUTED FOR THE UNIT ORDERED WITHOUT NOTICE. THE VERTICAL POLE ORDER AND ANCHOR BOLT TEMPLATE PRINT WILL BE SUPPLIED WITH EACH ANCHOR BOLT ORDER TO MATCH THE POLE PROVIDED. THIS PRINT IS THE PROPERTY OF HOLOPHANE AND IS LOANED SUBJECT TO RETURN UPON DEMAND AND UPON EXPRESS WRITTEN NOTICE. THIS PRINT IS NOT TO BE REPRODUCED IN ANY WAY DETRIMENTAL TO OUR INTERESTS, AND ONLY IN CONNECTION WITH MATERIAL FURNISHED BY HOLOPHANE.

ORDER #:	
TYPE:	
DRAWN:	KRW
DATE:	10/3/13
DWG #:	POL_NYA