

CRO #1576
Water Meter Vault (Only)

Specifications:

Vault Information (inside dimensions in inches):

Length: 144"
Width: 60"
Height: 48"

(See attached drawing)

Pipe Penetration (no pipe – sizing is for vault openings only):

Pipe diameter/type: 6" ductile iron
Cored hole diameter: 12"
Center of cored hole from inside floor: 18"
Center of cored hole from inside wall: 24"

Hatch Information:

Hatch size: 48" x 72"
Hatch type: Cast/Drop-in hatch
Hatch location: Centered and offset to side
Traffic rated: No

Drain Hole:

Type: Floor
Hole size: 2"
Hole size for sump pump: 12" x 12" x 3" recess

Step Information:

Step location: Center of wall at center hatch opening
Step timing: 12"

Pipe Penetration Seal:

Pipe seal type: Pipe boot/core & seal type

Delivery Information:

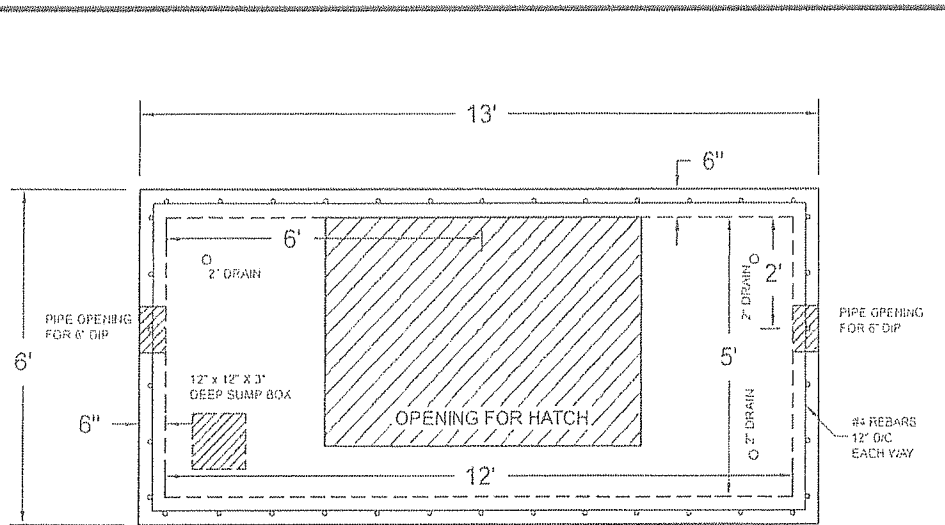
Vault is to be delivered to site and set in hole (Stout Drive, Crossville TN 38555)

Pay Unit:

Lump Sum – Concrete water meter vault with aluminum double door hatch. Delivered and set in hole.

Note:

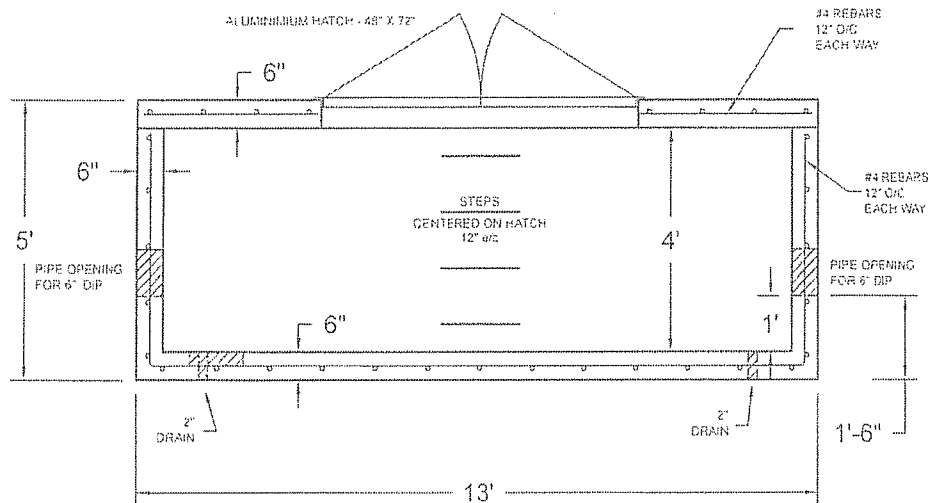
Date and time to be scheduled with the City of Crossville – contact Billy Martin, Utility Maintenance Manager, (931) 484-7631, email: billy.martin@crossvilletn.gov



NOTES:

TOP VIEW

28 Day, 5000 psi Concrete
 #4 Rebars @12" o/c Each Way
 Meet ATSM C923 & C900



SIDE VIEW

WATER METER VAULT
12' LENGTH x 5' WIDE x 4' TALL